



ALEX-TRONIX PUMP INTERFACE KIT

INSTALLATION INSTRUCTIONS

MODELS: P.I.K.-B, P.I.K.-S

This pump interface kit allows all Alex-Tronix battery powered controllers to operate an AC or DC powered pump that have its own power supply. The P.I.K. has an ampacity of up to 60 amps @ 250VAC or 28VDC.

VERSIONS:

The **P.I.K.-B** model is only used for the BCS system; no extra BCS module is required. Enercon, SS and all other battery powered controllers must use the **P.I.K.-S** (Standard) model. Please make sure you have the *correct model* before installation begins.

INSTALLATION:

- 1) The interface's circuit board dimensions are W=2-1/4" X L=3-3/4" X D=1-1/8". You will need to purchase an electrical J-box of the appropriate size to house the circuit board. Allow room for conduit fittings, grounding, etc. as local electrical codes and require.
- 2) Remove all four standoff's on circuit board, and use the circuit board's four holes as a guide to mark the inside of the j-box at a location you desire. Drill all four holes using a 6/32" drill bit.
- 3) Using a 1/4" driver, fasten all four standoff's in the j-box, and mount the circuit board on the standoff's using the remaining screws. The j-box can now be mounted on a post or wall.

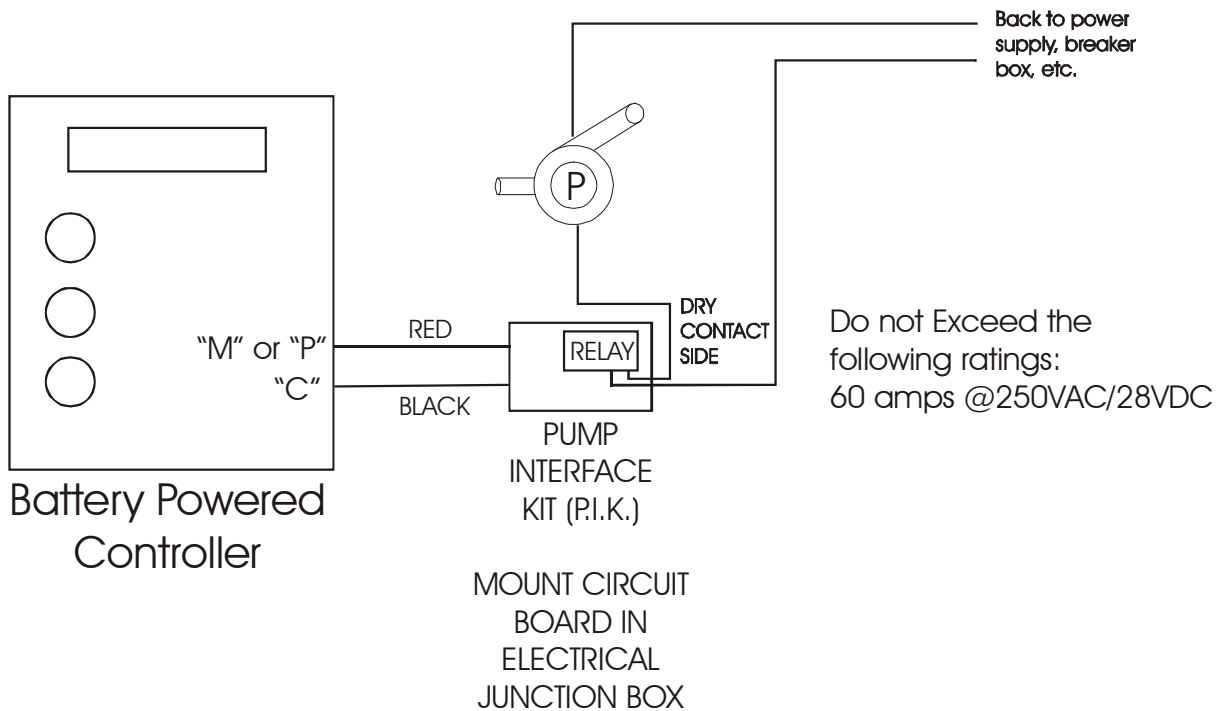
ELECTRICAL CONNECTIONS:

CAUTION: FOLLOW LOCAL BUILDING AND SAFETY ELECTRICAL CODES, WIRE AMPACITIES. WIRING SHOULD ONLY BE PERFORMED BY A QUALIFIED ELECTRICIAN.

- 1) Red wire is connected to "M" (master) or "P" (pump) from the controller.
- 2) Black wire is connected to "C" (common) from the controller.
Use supplied wire nuts to fasten controller field wires.
- 3) The remaining terminal lugs marked "N.O. "DRY" CONTACTS" tap in between the pumps "HOT" line normally colored black. Crimp ring lugs to these wires and fasten to lugs star washer side. Use supplied #6-32 screws and nuts. (See wiring diagram on back page)

Note: If you are working with three phase power, use the P.I.K. to drive the pumps own contactor and not the pump directly.

Alex-Tronix Pump Interface Kit Wiring Diagram.



ALEX-TRONIX
4761 W. Jacquelyn Ave.
Fresno, CA. 93722
Tel: 559-276-2888
Toll Free: 888-224-7630
Fax: 559-276-2890
www.alex-tronix.com