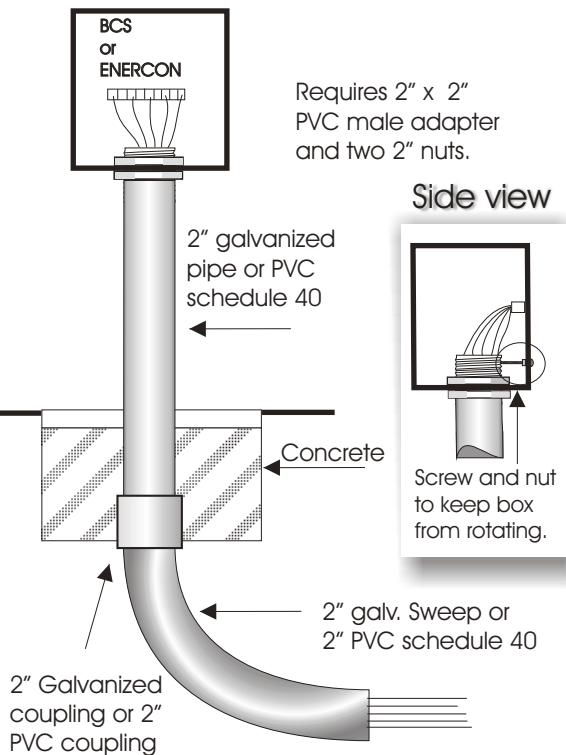


New Installation



1. Use either 2 inch threaded galvanized pipe, or 2 inch schedule 40 PVC pipe.
2. Dig hole as shown at left.
3. Glue 2" PVC sweep to vertical PVC column. If galvanized is used, thread on short piece of galvanized sweep to galvanized vertical column.
4. Run wires through column and bend ends over the top for about one foot.
5. Set column in hole and use dirt to set vertical. Pour concrete around base for permanency
6. If PVC pipe is used, place a two inch male PVC adapter through bottom of BCS box after knockout has been punched out. Using a 2 inch nut, tighten adapter to bottom of BCS box.
7. Once concrete is set, pass wires through PVC adapter. Use PVC glue to affix adapter to top of PVC pipe. Rotate BCS to desired orientation.
8. Wire up as described in owners manual.
9. If galvanized column is used, place one 2 inch nut all the way down threaded end. Place controller over column and use second nut to tighten controller on top of galvanized pipe.
10. To keep box from rotating, use guide hole in back of box to drill through lip of PVC or galvanized pipe. Place screw and nut through this hole.